

# Insert Replacement Installation Instructions

For Patio Doors without Nailing Fin



## Thank you for choosing Vector Windows.

These insert replacement instructions for vinyl patio doors without a nailing fin are for typical, existing wall construction with weather protection in place in existing window opening.

Home and building construction materials, design, site conditions and methods used for construction these instructions may not be right for all installations. Consult a contractor or architect or refer to FGIA for additional installation guidelines.

Due to changing industry best practices, ongoing product changes and improvements, and new test results, this installation procedure may change over time. For updated installation guides, removal instructions and/or additional installation information, visit [vectorwindows.com/installation](http://vectorwindows.com/installation).

### Provided Materials:

#### Materials

- Purchased Patio Door, Sidelight or Transom Screw Pack
- (4) Adjustment Hole Plugs
- (4) #8 X 2 1/2" Flat Head Screws

### Needed Materials and Tools:

#### Materials

- Formable Self-adhering Flashing
- Full Width Rigid Sill Cap
- Low Expanding Foam
- Waterproof Shims
- Foam Backer Rod
- Staples
- Sealant
- Extension Jambs (Optional)

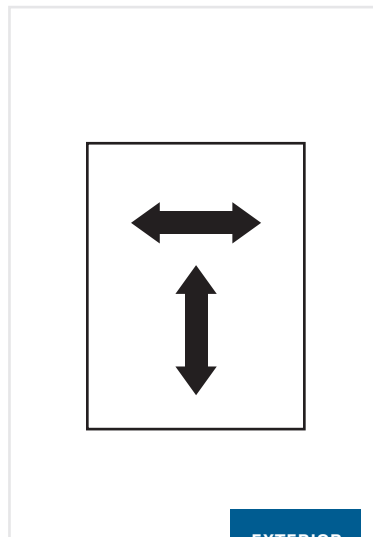
#### Tools

- Hammer
- Safety Glasses
- Level
- Utility Knife
- Putty Knife
- Tape Measure
- Drill
- Flat Blade Screwdriver
- Combination Square
- Staple Gun
- Caulk Gun
- Diagonal Cutting Pliers
- J-Roller
- Isopropyl Alcohol
- Cleaning Cloth

## 1.0

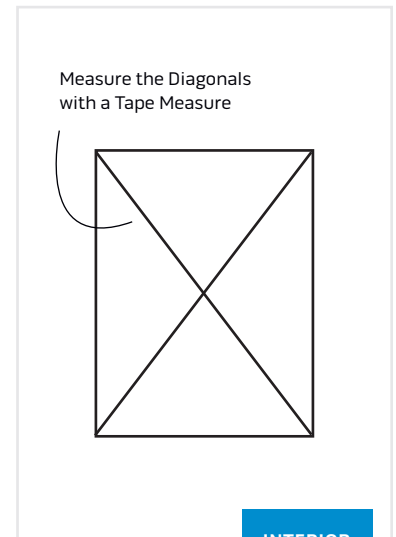
### Step 1. Prepare Patio Door Opening

- A. Remove old existing patio door.
- B. Clean entire opening of all debris.
- C. Measure and Inspect the rough opening, verifying that the framing is structurally sound. Check that there is enough space for any installation clips or flashing thickness and that the diagonals are within 1/8".
- D. Verify that the rough opening is plumb, level, and square.
- E. Properly remove all packaging.



(fig. 1)

EXTERIOR



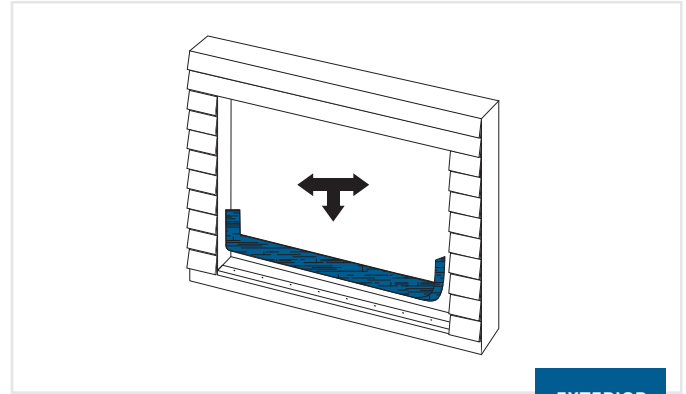
(fig. 2)

INTERIOR



### Step 2. Apply Flashing

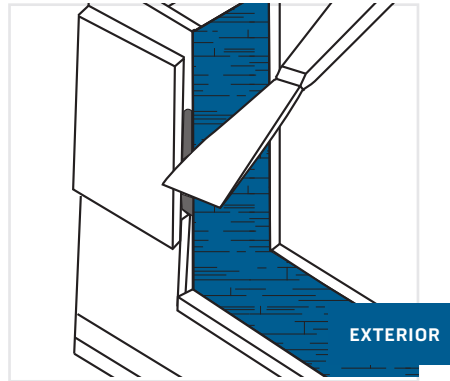
- A. With firm pressure apply formable self-adhering flashing at the sill. Make sure to avoid wrinkles or gaps. Ensure the formable self-adhering flashing is overlapping onto manufactured siding's J-Channel and across the sill and up 6-8" on the jambs. Applying the flashings incorrectly may result in product and property damage. (fig.3)



(fig. 3)

### Step 3. Apply Sealant

- A. Between the gap of the siding, sheathing, and flashing apply sealant around the entire perimeter. Using a putty knife tool smooth the sealant.



### Step 5. Clean Frame

- A. Using Isopropyl Alcohol and cleaning cloth, clean the full perimeter of the door frame.

### Step 6. (Joined Doors Only) Apply Flashing to Joined Doors

- A. On the top of joined doors apply self-adhering flashing to the full width of the top of the door frame. If there is excess flashing safely trim the edges with a utility knife. (fig. 4)

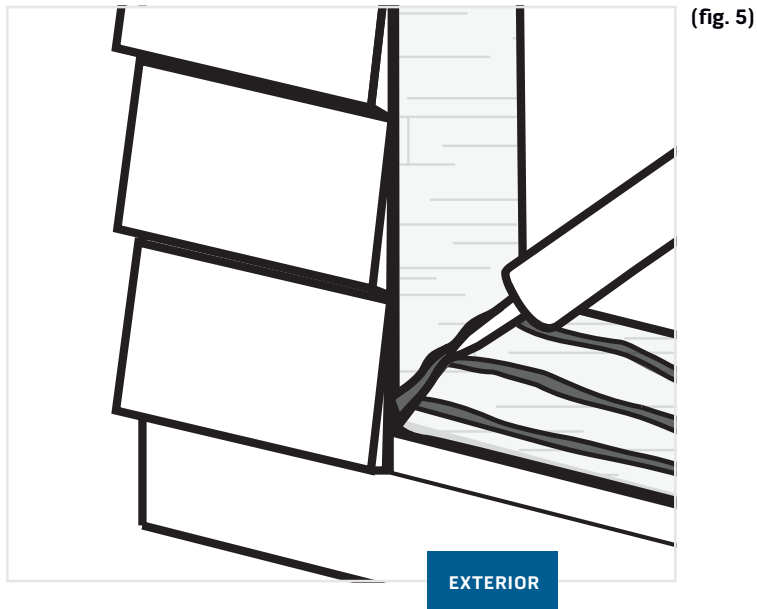


(fig. 4)



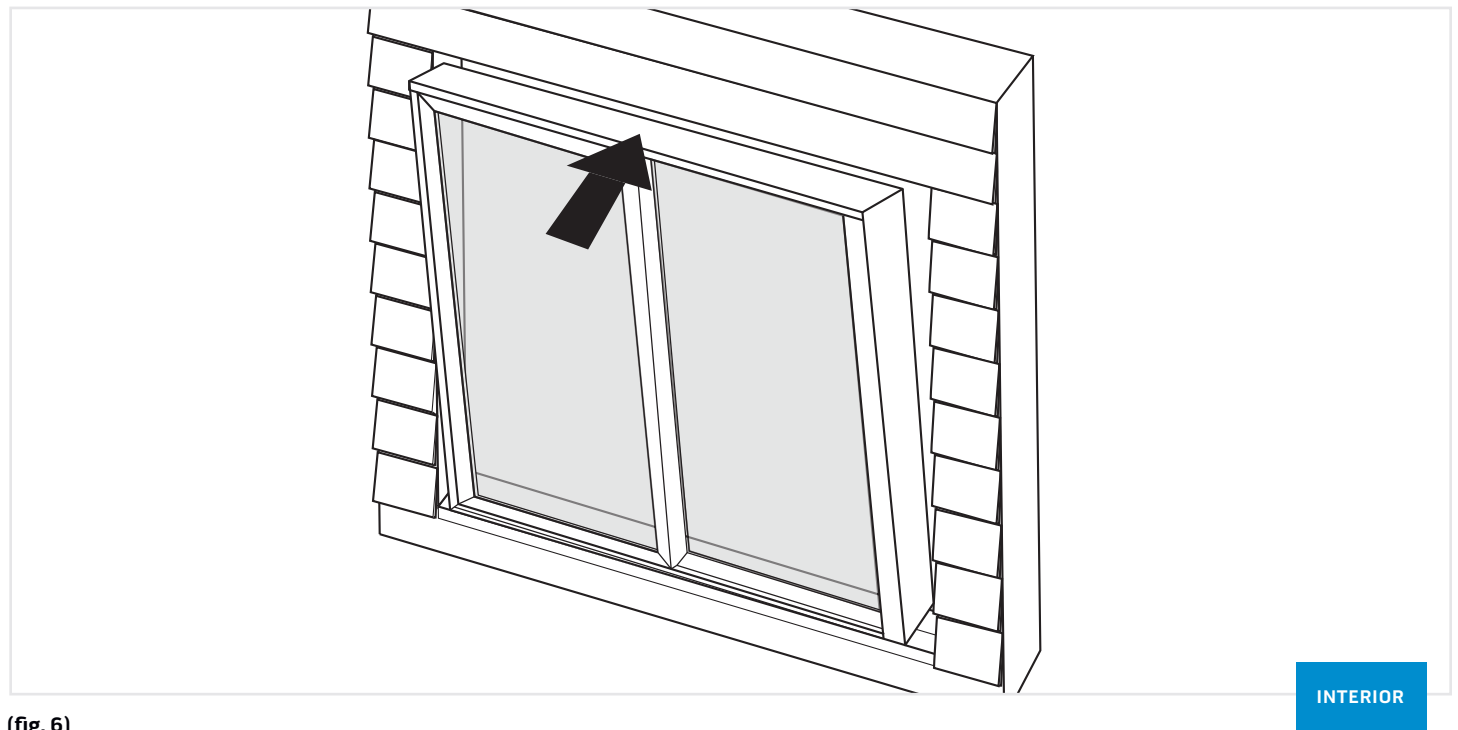
## Step 7. Apply Sealant

- A. In the bottom corners of the sill apply sealant liberally.
- B. Apply three 3/8" beads of sealant across the entire length of the bottom of the opening.
- C. Do not seal and ensure weep holes and channels are clear for proper water drainage.



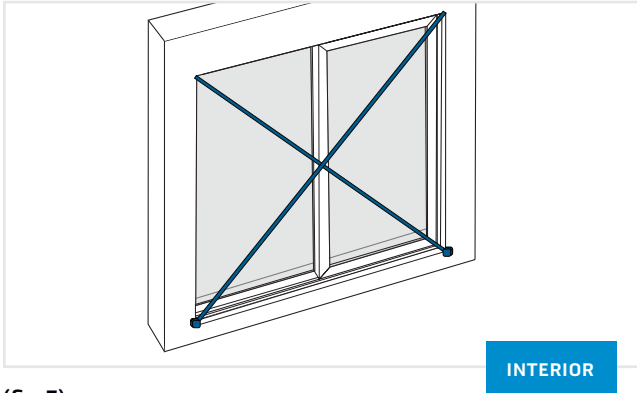
## Step 8. Tip Door Into Opening

- A. Making sure the door is supported and secured at all times center the patio door on the sill and tip door into rough opening.
- B. Using a combination square position patio door at the desired depth.



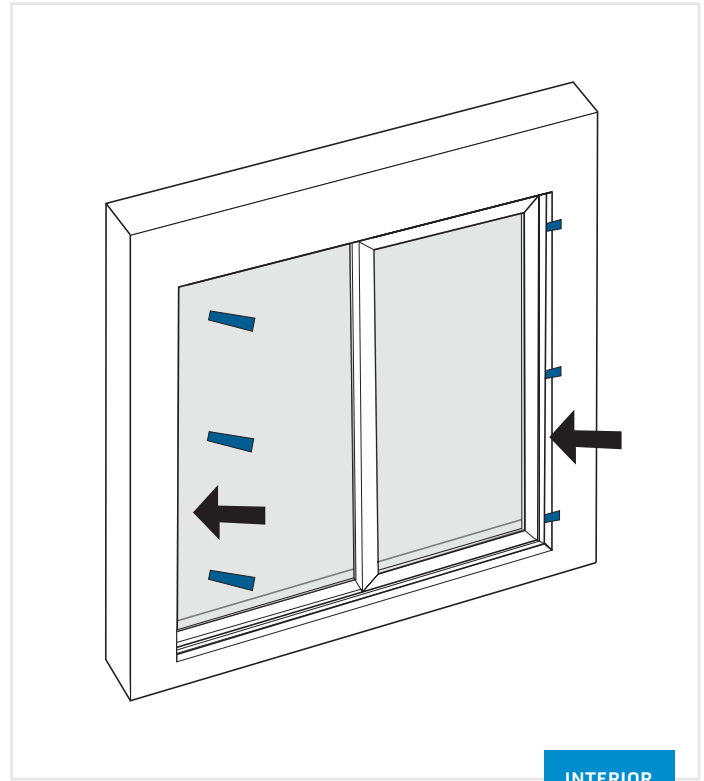
### Step 9. Make Shim Adjustments

- A. While the door is supported place shims behind each fastener hole. Add additional shims as necessary to ensure proper support and alignment of the door frame. From the interior, shim 3" - 4" from each corner and in the center of the head jamb and both side jambs. Place one shim 2" from each side of the rough opening, this should be approximately 1 1/2" - 2" from the corner of the patio door if the opening is sized correctly.
- B. Using a tape measure make adjustments with shims until all measurements are within 1/8". Shims should be cut back 1/4" - 1/2" from the interior face of the main door frame. Shims should be no more than 8" on-center.



(fig. 7)

INTERIOR

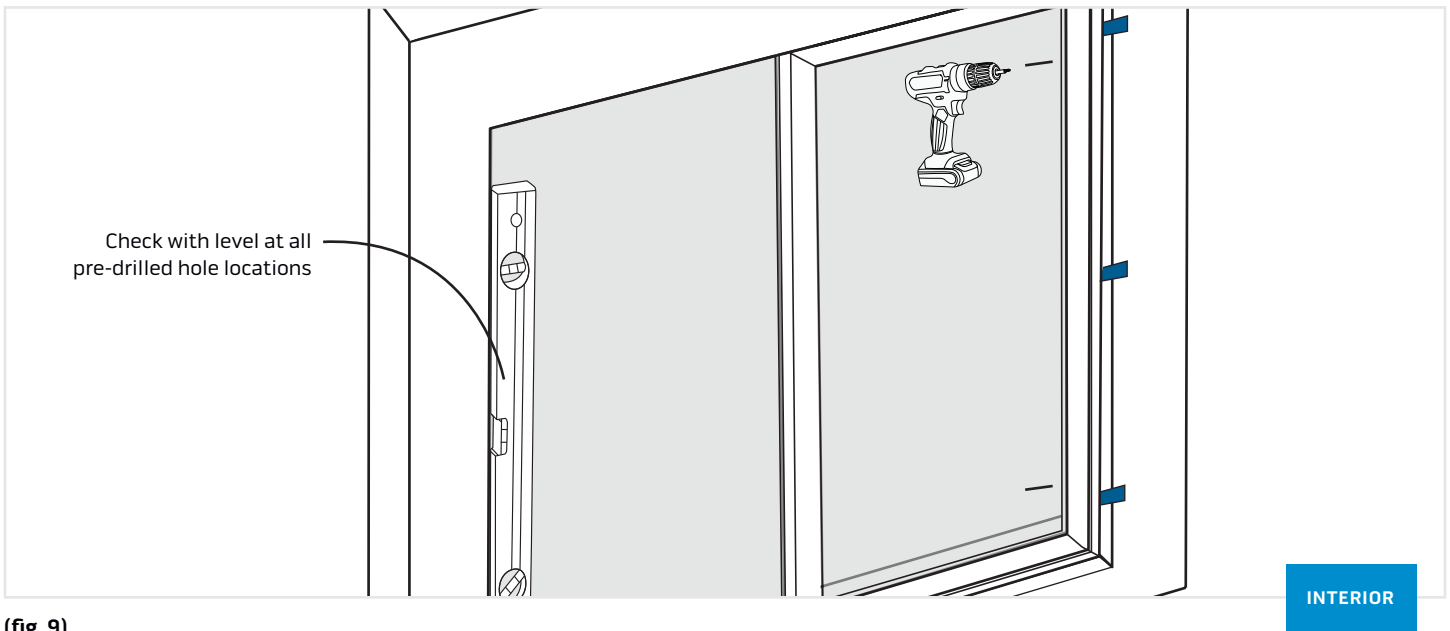


(fig. 8)

INTERIOR

### Step 10. Fasten in place

- A. Before fastening in place make sure the door is plumb, level, and square. At all pre-drilled hole locations fasten stationary side jambs with the included screws and a drill driver. Ensure that all screw heads are flush against the outer wall of the vinyl frame.
- B. Place a shim at each through-frame screw location.
- C. Failure to install screws, nails or plates securely will reduce the structural performance and could result in product or property damage.



(fig. 9)

INTERIOR



## 11.0

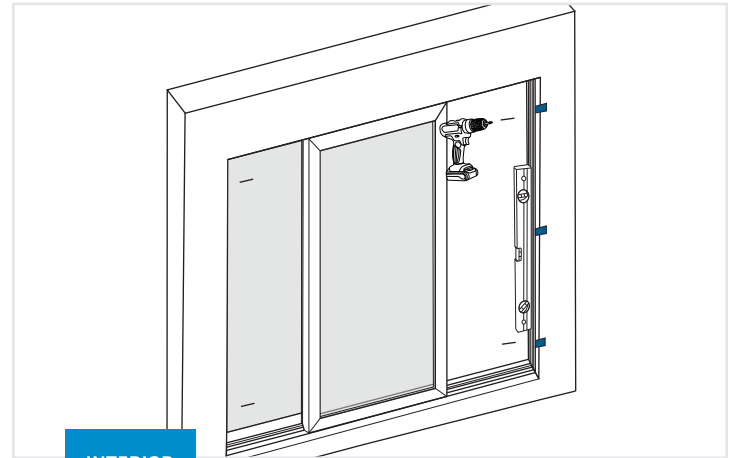
### Step 11. Remove Packaging Block

- A. Open the operating panels and remove any packaging from the sill.

## 12.0

### Step 12. Fastening The Head

- A. Open the siding door and after checking to verify it is plumb, square and level fasten the operating jamb at all four hole locations. Like before use the #8 x 2 1/2" screws and ensure the screw heads are flush.
- B. Next fasten the head jamb in the same fashion at all hole locations.



(fig. 10)

## 13.0

### Step 13. Trim Shims

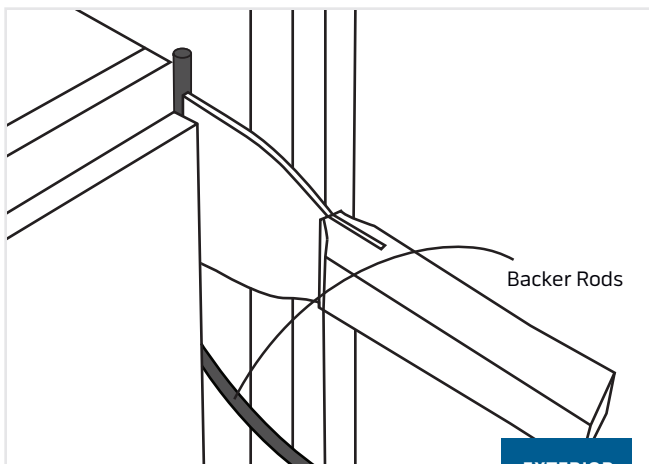
- A. Trim all shims flush safely with a utility knife.

INTERIOR

## 14.0

### Step 14. Clean and Insert Back Rod

- A. After cleaning with isopropyl alcohol, inset backer rods at the sides and top with a putty knife.

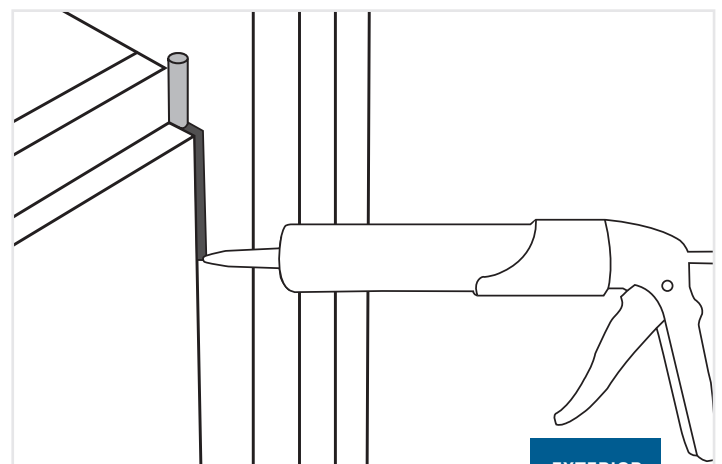


(fig. 11)

## 15.0

### Step 15. Add Sealant

- A. Next apply sealant to top, sides and bottom. Tool smooth as needed. Follow instructions of sealant manufacturer regarding application, compatibility, and maintenance with this product.



(fig. 12)

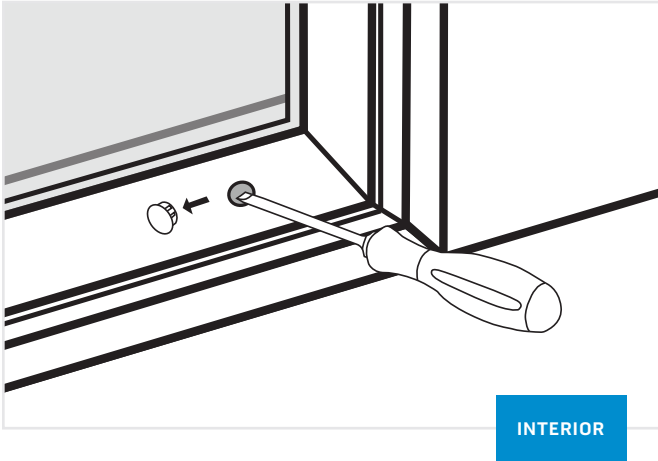


## 16.0

---

### Step 16. Remove and Adjust Hole Caps

- A. After opening door remove adjustment hole caps. Insert flat blade screwdriver into sockets and turn clockwise to raise panel or counter clockwise to lower panel until gap is equal full length. Replace adjustment hole caps.



## 18.0

---

### Step 18. Sliding Patio Door Installation is Complete

## 17.0

---

### Step 17. Lock Adjustment

- A. Reference the lock adjustment instructions for your patio door product type.

